



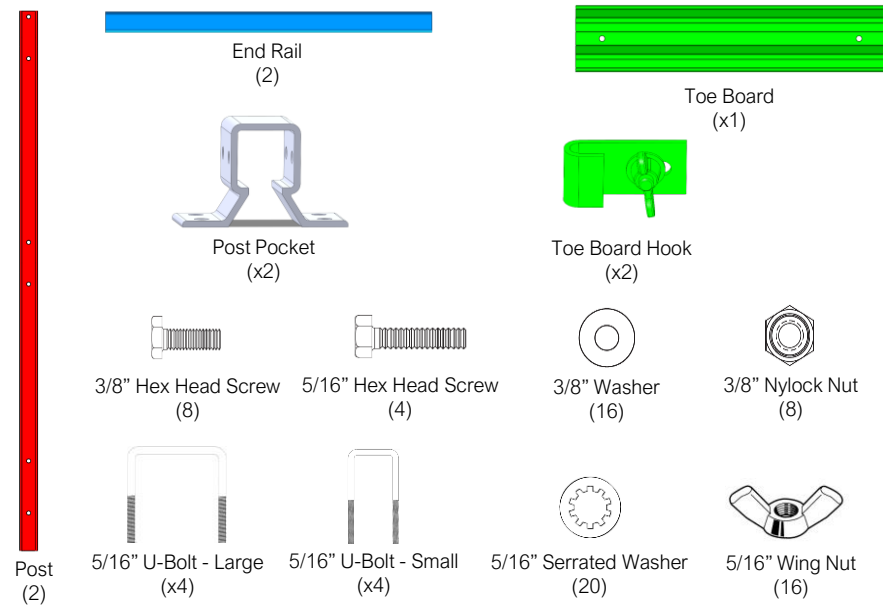
INSTALLATION INSTRUCTIONS
ALUMINUM CONNECTING PLANK
END RAIL KIT
ACPER12 & ACPER20 SERIES

⚠ WARNING

Before you begin the installation of your new End Rail Kit by LIBERTY LADDER, you must read and understand:

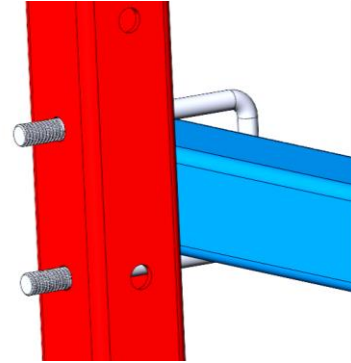
1. Do not attempt to install this End Rail Kit unless you are competent in the use of hand tools.
2. Do not attempt to fit this End Rail Kit unless you understand basic technical drawings and can relate to such drawings to step by step instructions.
3. If you do not understand these instructions, contact your employer, dealer or the manufacturer for assistance.
4. Your original product has been manufactured to applicable standards.
5. If the End Rail Kit is installed incorrectly, the manufacturer will not be liable for any damage or personal injury which occurs as a result.
6. If used and cared for properly, it will provide many years of reliable service.
7. Prior to commencement, identify all the kit components required.
8. If any components are missing or damaged, return the kit to the place of purchase.
9. Do not substitute any components.
10. For Goods Return, this package must be in original condition.
11. If the contents are opened and/or partially assembled, they will not be accepted as a returnable item.

PARTS INCLUDED

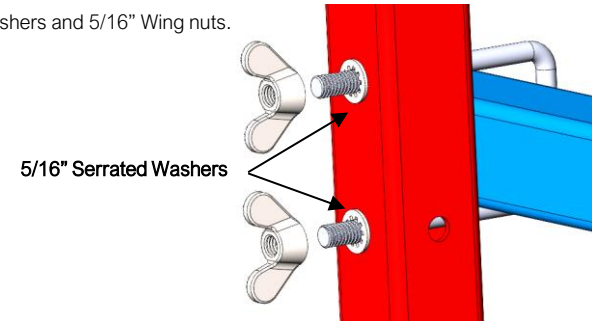


5) INSTALLING END RAILS

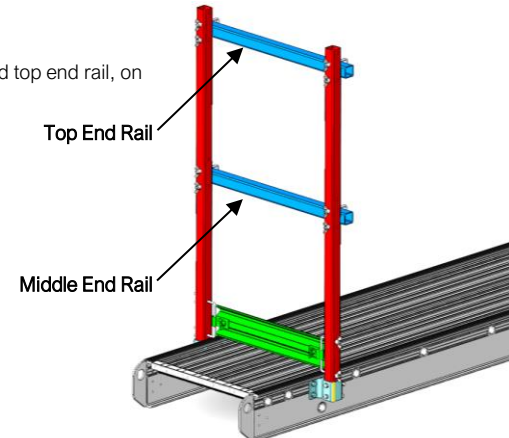
5.1 - Insert the Small 5/16" U-Bolt towards end of the plank where the kit is being installed, parallel to the plank. Slide the End Rail inside the Small U-Bolt as shown on the image – on the inner face of the post.



5.2 - Insert 5/16" Serrated Washers and 5/16" Wing nuts. Tighten Wing Nuts.

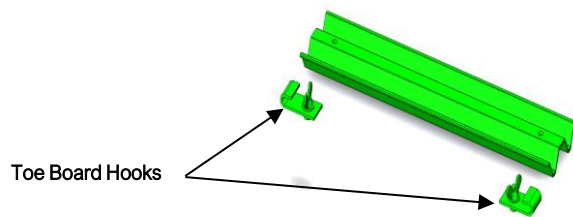


5.3 - Repeat the steps for the middle and top end rail, on both sides of the plank.

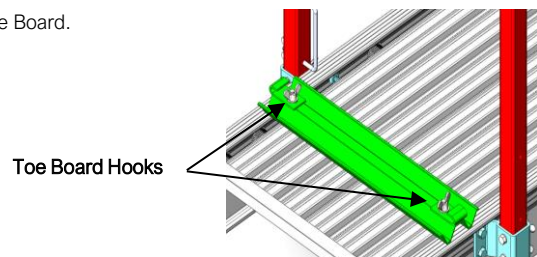


4) INSTALLING TOE BOARD

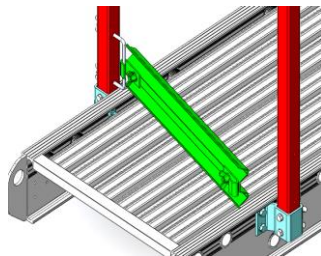
4.1 - Parts.



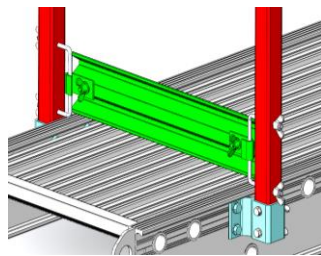
4.2 - Install Toe Board Hooks onto Toe Board.



4.3 - Connect one Toe Board Hook to the previously installed U-Bolt.

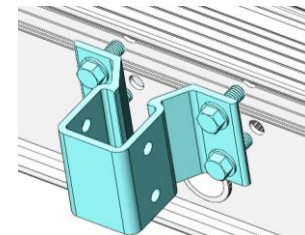


4.4 - Connect the opposite Toe Board Hook with the previously installed U-Bolt (untighten wing nuts as per needed). Tighten the Wing Nuts.

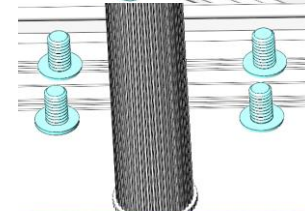


1) INSTALLING END RAILS

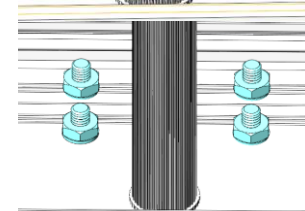
1.1 - Insert the 3/8" Washers and 3/8" Hex Head Screws into the Post Pocket; then insert onto the 4-hole pattern on the siderail.



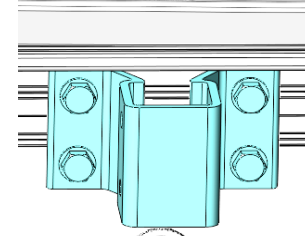
1.2 - Insert the 3/8" Washers on the screws, on the opposite (inner) face of the siderail.



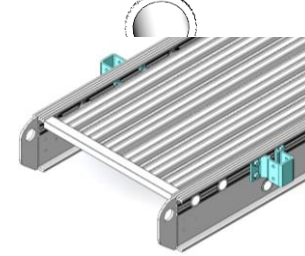
1.3 - Tighten the 3/8" Nylock Nuts.



1.4 - Post Pocket – Finished Assembly.

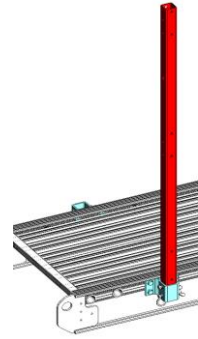


1.5 - Repeat the steps on the other side of the plank.



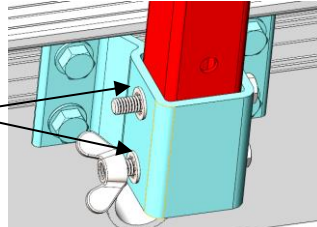
2) INSTALLING POST

2.1 - Slide Post inside the pocket.

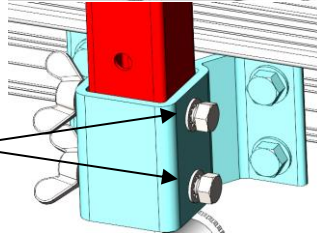


2.2 - Insert the 5/16" Hex Head Screw, 5/16" Serrated Washer and 5/16" Wing Nuts. Tighten the hardware.

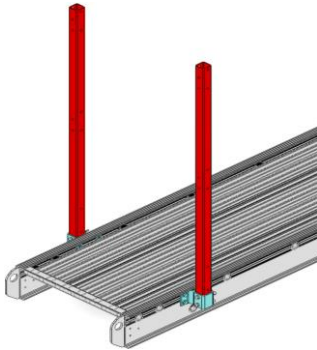
5/16" Serrated Washers



5/16" Serrated Washers

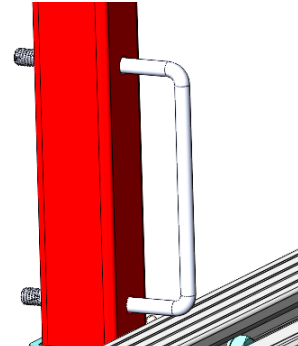


2.3 - Repeat the steps on the other side of the plank.



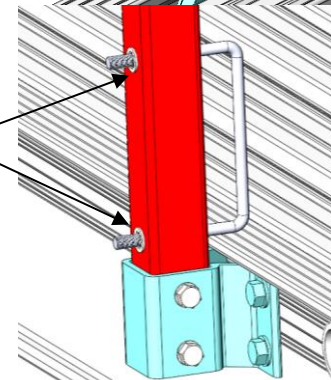
3) INSTALLING U-BOLTS

3.1 - Insert the Large 5/16" U-Bolt towards outside, perpendicular to the plank.



3.2 - Insert 5/16" Serrated Washers

5/16" Serrated Washers



3.3 - Insert the 5/16" Wing Nuts and tighten. Repeat the steps on the other side of the plank.

